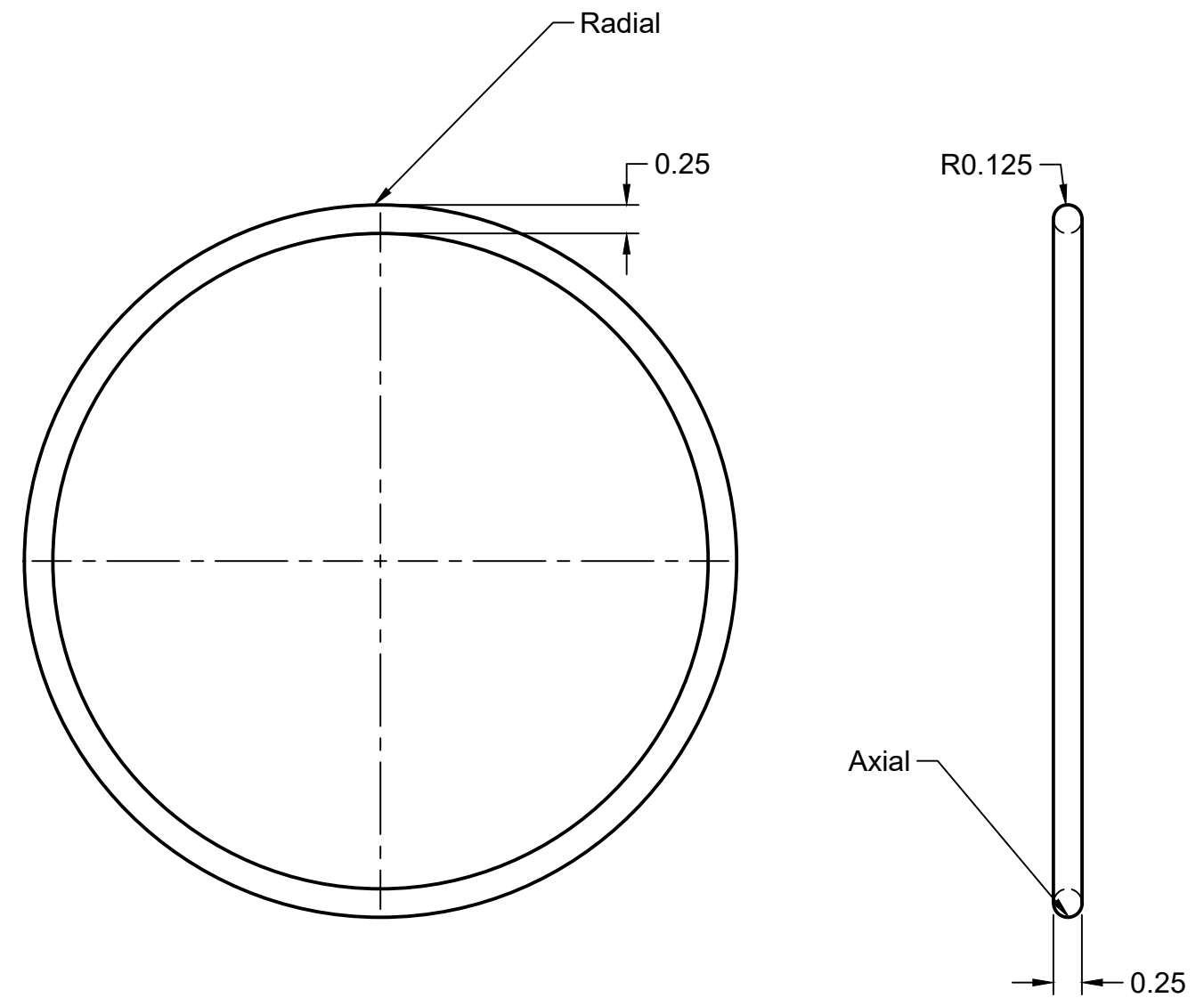


Procedure for measuring and determining the cross section dimensions of small inside diameter o-rings:

1. Measure ID to OD: Radial
2. Measure : Axial
3. Average the 2 dimensions to obtain size.
4. Small inside diameter o-rings have a slightly oval shape due to deformational stress.
5. When placed in groove and compressed they fill the gland sufficiently to seal.
6. Tolerances meet RMA L2
7. visit <https://www.m-cor.com/teflon-encapsulated-o-rings-explained>



		PROJECT		
		Encapsulated O-ring Dimensions		
		TITLE		
		M-Cor QC Dimensions		
APPROVED	SIZE	CODE	DWG NO	REV
CHECKED	B		3525	
DRAWN	Richard Mattera	3/5/2025	SCALE 1:2	WEIGHT
			SHEET	1/1